

TBS02202B

TBS02202B



FEATURES

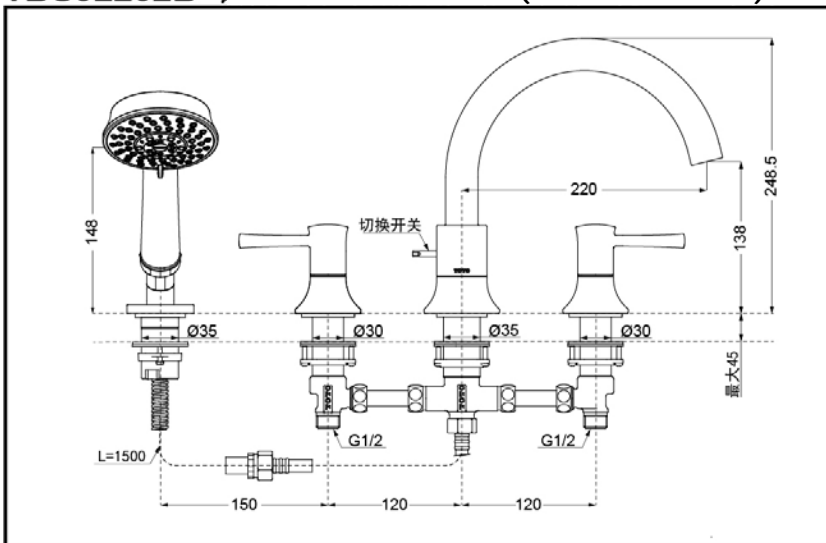
- Elegant appearance.
- Beautiful curves reveal elegant taste.
- Easy installation and usage.

SPECIFICS

Water Inlet Requirement :
0.05MPa(Dynamic
Pressure)~1.0MPa(Static
Pressure)

Water Efficiency :
Grade2(Hand Shower)

TBS02202B ￡Deck-Mount Tub Filler(W/ Hand Shower)



*TOTO(CHINA) CO.,LTD. All rights reserved.

Others

Series : LN